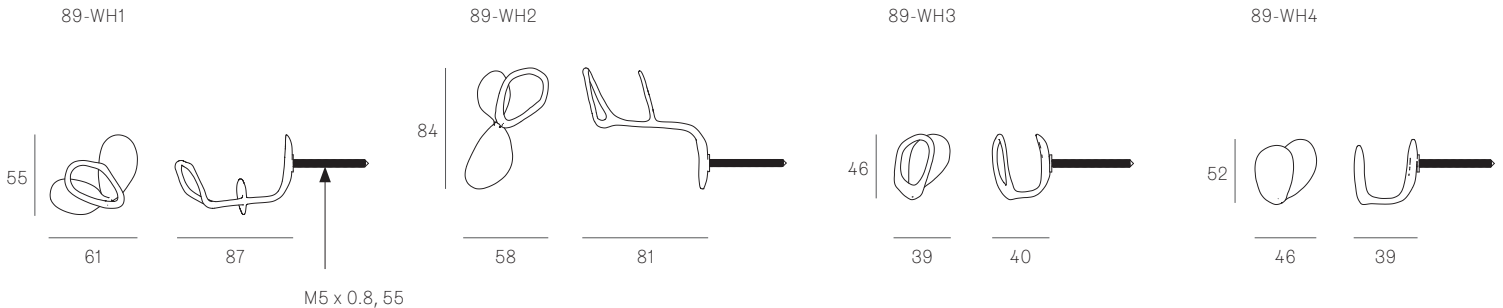


Image shown above from left to right: 89-WH1, 89-WH2, 89-WH3, 89-WH4

<b>Type</b>	Wall hook
<b>Material</b>	Brass
<b>Finish</b>	Brushed
<b>Anchors</b>	M5 drywall anchor and M5 concrete anchor
<b>Care</b>	Dust regularly with a lint-free cloth or duster
<b>Patent #</b>	US D1043320

<b>Weight (g)</b>	
<b>89</b>	36-63



All dimensions are in millimeters (mm) unless otherwise specified.