

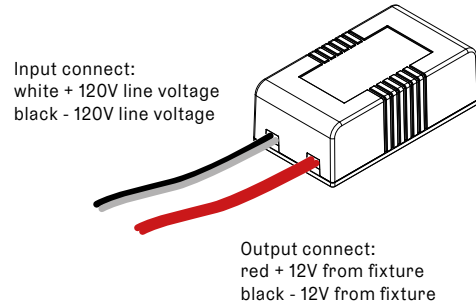


T-D12060-A





SPECIFICATION

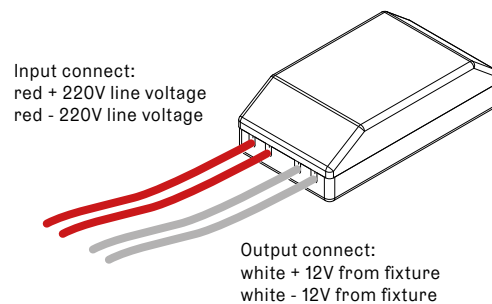
Input Voltage	AC 110-120V, 50/60Hz
Output Voltage	12V AC max.
Output Wattage	20W min, 60W max.
Output Current	500mA
Dimming	Dimmable with low voltage electronic and trailing edge dimmers only
Ambient Temperature	25°C
Notes	Electronic transformer Short Circuit & overload protection Class 2 power unit For Xenon lamps only
Dimension	65 x 35 x 23mm
Certification	 



YLET60C

SPECIFICATION

Input Voltage	AC 220-240V, 50/60Hz
Output Voltage	12V AC max.
Output Wattage	20W min, 60W max.
Dimming	Dimmable with low voltage electronic and trailing edge dimmers only
Notes	Electronic transformer Class 2 power unit For Xenon lamps only
Dimension	65 x 35 x 21mm
Certification	   



Best practices for wiring multiple single pendant fixtures with remote mounted power supplies:

- Multiple single pendant fixtures should be wired in parallel DO NOT wire in series.
- Bocci recommends a home run line for each fixture location to avoid significant voltage drop.
- Calculations for distance to the power supply, or required wire gauge in order to avoid voltage drop, are the responsibility of the installing party.